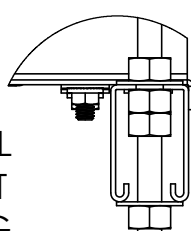
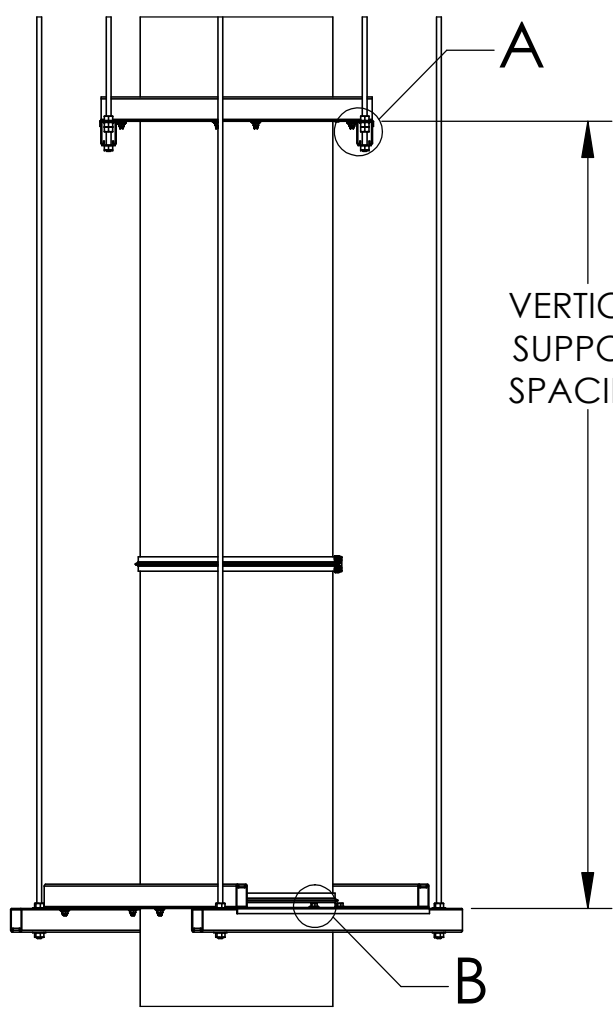
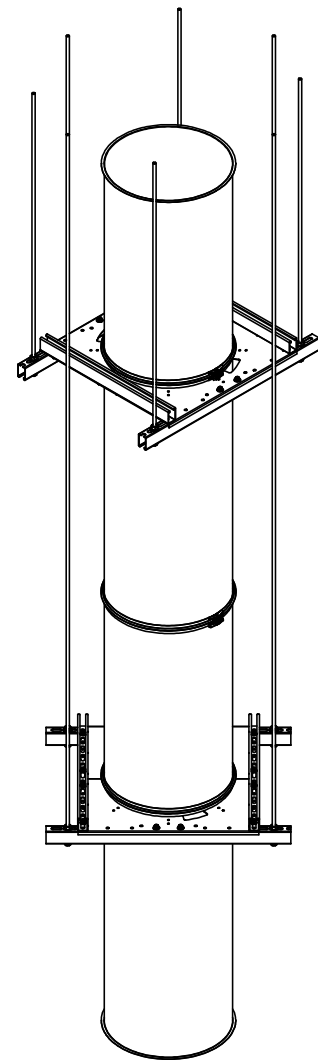
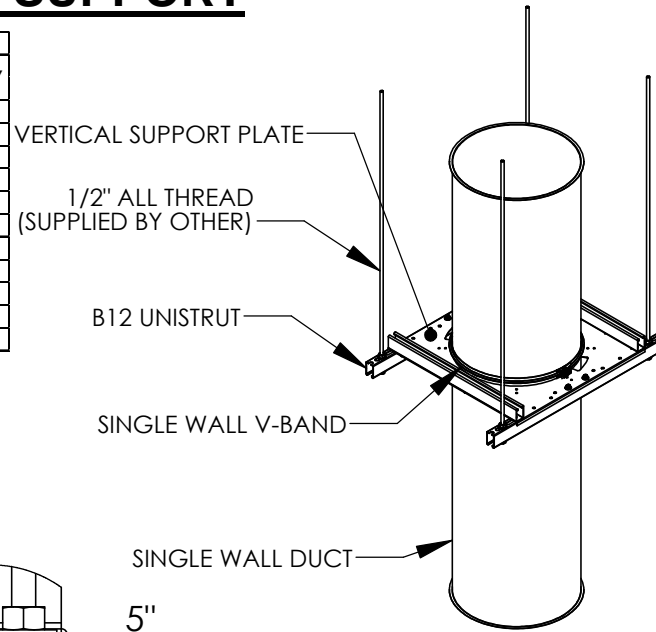


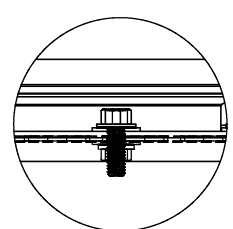
SINGLE WALL DUCT CEILING SUPPORT

VERTICAL SUPPORT SPACING FOR DOUBLE WALL WITH FLOOR SUPPORT

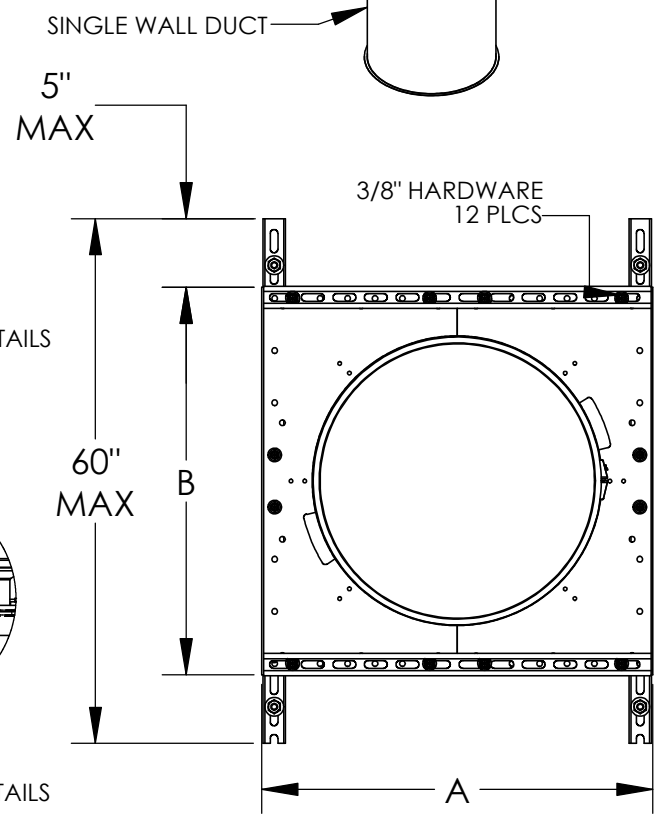
DUCT DIAMETER	PLATE DIMENSIONS		SUPPORT SPACING	CHASE SUPPORT ASSEMBLY
	A	B		
8.00"	16.25"	16.25"	24'	DW08HANGSUPASY
10.00"	18.25"	18.25"	24'	DW10HANGSUPASY
12.00"	20.25"	20.25"	24'	DW12HANGSUPASY
14.00"	22.25"	22.25"	24'	DW14HANGSUPASY
16.00"	24.25"	24.25"	24'	DW16HANGSUPASY
18.00"	26.25"	26.25"	24'	DW18HANGSUPASY
20.00"	28.25"	28.25"	24'	DW20HANGSUPASY
22.00"	30.25"	30.25"	24'	DW22HANGSUPASY
24.00"	32.25"	32.25"	24'	DW24HANGSUPASY
30.00"	38.25"	38.25"	24'	DW30HANGSUPASY
36.00"	44.25"	44.25"	24'	DW36HANGSUPASY



DETAIL A
1/2" ALL THREAD DETAILS
4 PLCS
SCALE 1 : 4



DETAIL B
3/8" HARDWARE DETAILS
12 PLCS
SCALE 1 : 4



NOTE: SUPPORTS MUST BE ROTATED SO THAT ALL THREAD ATTACHES DIRECTLY TO CEILING

